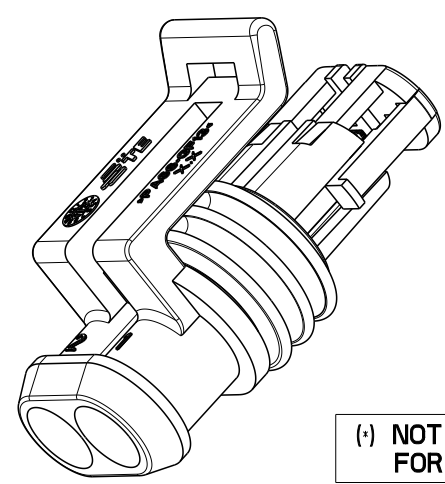
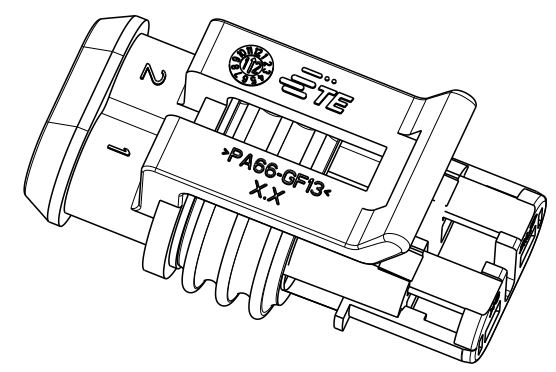
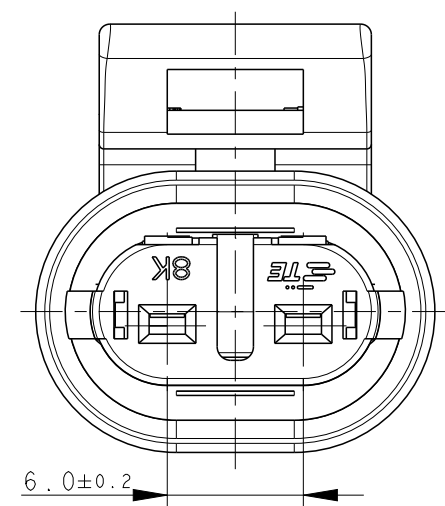
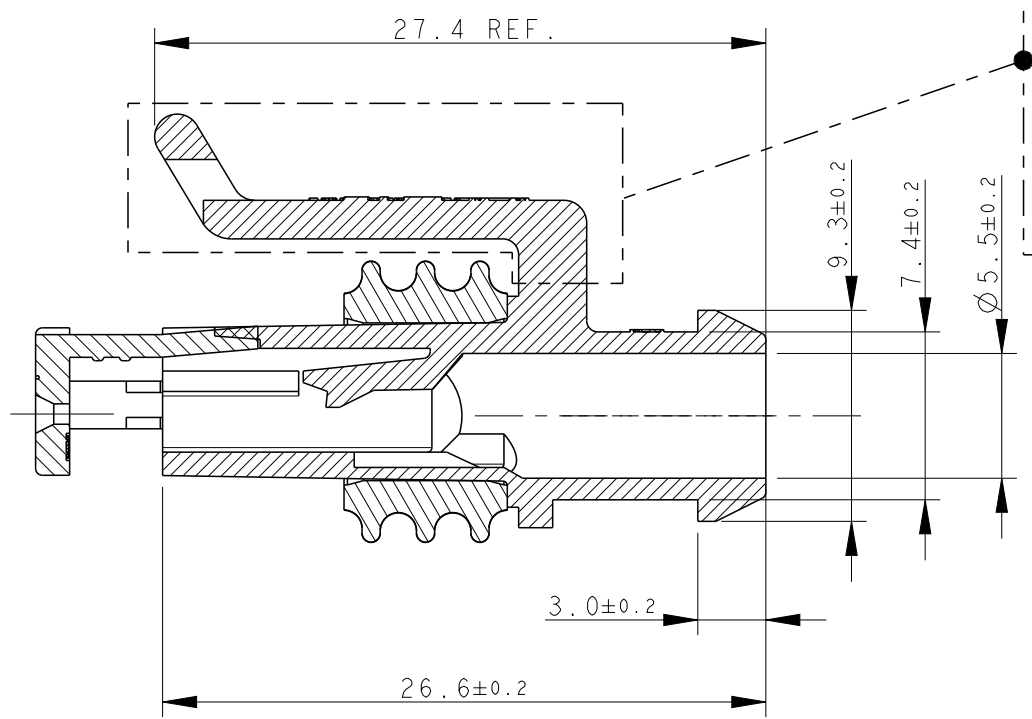
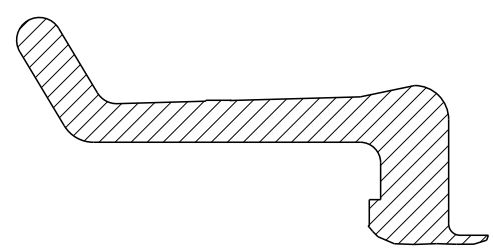


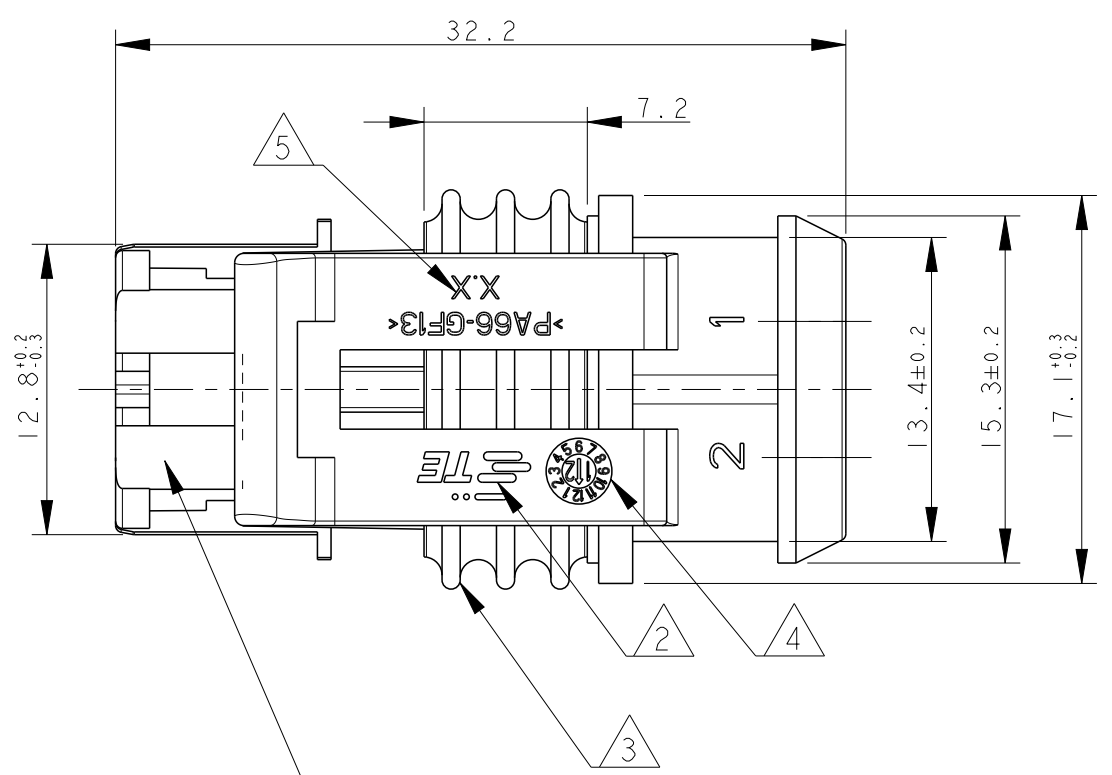
REVISIONS

P	LTR	DESCRIPTION	DATE	DWN	APVD
D2		ADDED FSL SEAL VERSION (ECO-15-016364)	13NOV2015	M.G.	M.G.
D3		REVISED PER ECO-17-001706	10FEB2017	C.A.	M.G.
D4		REVISED PER ECO-19-017338	15NOV2019	AP	VN
D5		REVISED PER ECO-20-009351	03JUL2020	AP	VN

ALTERNATIVE DESIGN OF LOCKING LANCE



- 1) FOR COUNTERPART DETAILS, SEE SHEET 2 OF 2
- 2) TE CONNECTIVITY TRADE MARK, (IN ALTERNATIVE: "AMP" LOGO, OR "E" LOGO, OR "Tyco Electronics" LOGO)
- 3) SEALING (COLOUR YELLOW FOR LSR VERSION) (COLOUR WHITE FOR FSL VERSION)
- 4) DATECODE (OPTIONAL IN OLD MOULDS).
- 5) MOULD/MOULD CAVITY NUMBER



(*) NOT YET RELEASED FOR PRODUCTION

PRE-ASSEMBLED SECONDARY LOCK (COLOUR RED/WHITE)

FINISH/COLOR	MATERIAL	PART NUMBER
HSG-WHITE, SL-WHITE	ACC. TO IEC 60335-1 HSG+SL: PA66GF20 UL94-V2 SEALING: LSR	1745096-1
HSG-BLACK, SL-RED	HOUSING+SEC.LOCK:PA66-GF SEALING: FSL	1-282080-1 (*)
HSG-BROWN, SL-RED	HOUSING+SEC.LOCK:PA66-GF SEALING: LSR	282080-4
HSG-GREEN, SL-RED		282080-3
HSG-GRAY, SL-RED		282080-2
HSG-BLACK, SL-RED		282080-1

THIS DRAWING IS A CONTROLLED DOCUMENT.

DWN C. BERTINI 05-1992	NAME -	TE Connectivity
CHK A. BRUNI 05-1992		
APVD -	PRODUCT SPEC 108-20090	AMP SUPERSEAL 1.5 SRS. 2 POSITIONS PLUG ASS'Y
MATERIAL -	FINISH -	
TOLERANCES UNLESS OTHERWISE SPECIFIED:	APPLICATION SPEC 412-20000	RESTRICTED TO -
0 PLC ±-	WEIGHT 2.60gr	SIZE A3
1 PLC ±0.3	Customer Drawing	CAGE CODE 00779
2 PLC ±-	SCALE 3:1	DRAWING NO C-282080
3 PLC ±-	SHEET 1 OF 2	REV D5
4 PLC ±-		
5 ANGLES ±2°		
SEE TABLE		